

Acest plan anuleaza si inlocuieste planul nr. PT.03.03.24.RE.01.007 elaborat la data 01.2013.

This layout plan canceled and replaced layout plan no. PT.03.03.24.RE.01.007 prepared on 01.2013.

Verificator / Expert  
Checker / Expert

Cerința  
Requirement

Semnătura  
Signature

Referat / Expertiză  
Report / Expertise

PROIECTANT / DESIGNER:

Subcontractant / Subcontractor

Aprobat  
Approved

Verificat  
Checked

Șef de echipă  
Team leader

Expert Cheie  
Key Expert

C. Teodorescu

R. Witlan

01.2013

01.2013

01.2013

01.2013

Project 9i  
35311.1

Faza / Phase:  
PTh+CS / TD+TS

European Investment Bank

MINISTERUL TRANSPORTURILOR

BENEFICIAR / BENEFICIARY :

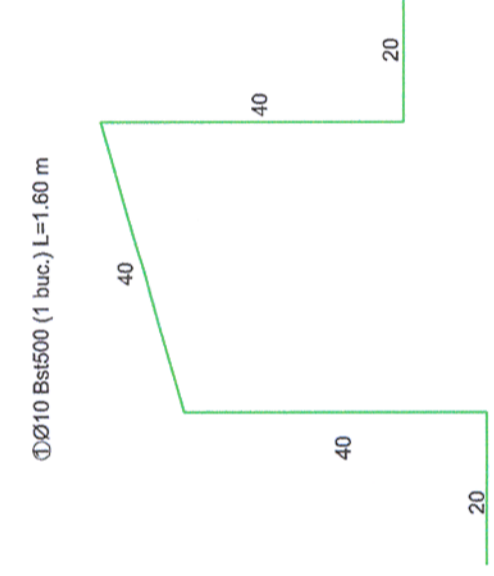
COMPANIA NAȚIONALĂ DE CĂI FERATE "CFR" SA

PÖYRY

Logo of European Union

CLASA DE IMPORTANȚA A CONSTRUCȚIEI CONFORM P100/1-2006 ESTE III; CATEGORIA DE IMPORTANȚA CONFORM H.G. nr. 766/97 este "C".

THE CONSTRUCTION IMPORTANCE CLASS, ACCORDING TO P100/1-2006, IS III; CATEGORY, ACCORDING TO H.G. 766/97 IS "C".

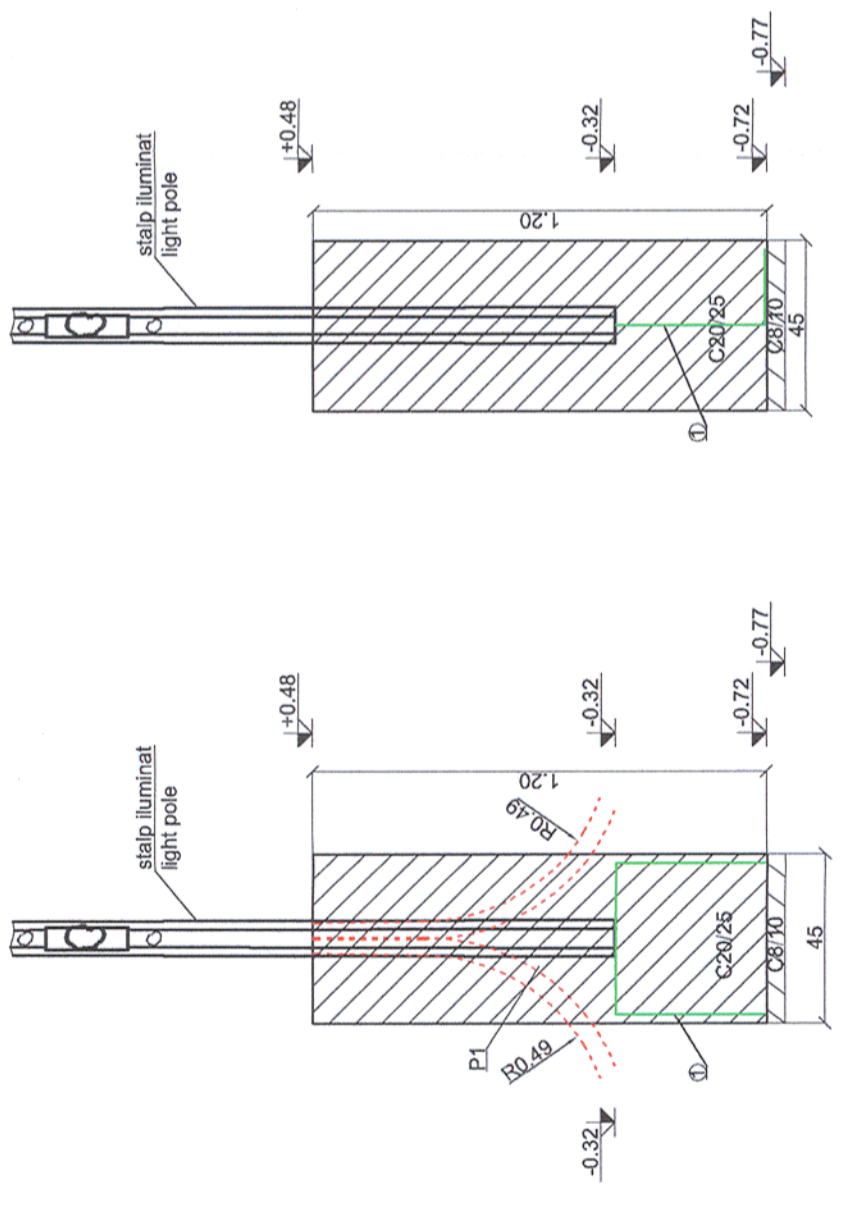


EXTRAS DE ARMATURA			EXTRACT OF REINFORCEMENT	
Marca/ Mark	Diametrul/ Diameter (mm)	Buc/ Pieces	Lungime (m) Length (m)	Lungimi pe diametru/ Lengths by diameters Bst500 (S500)
1	10	1	1.60	φ 10
Lungime totala pe diametre / Total length on diameter				1.6
Masa pe metru / Mass on meter (kg/ml)				0.616
Masa pe diametre / Mass on diameter (kg)				1.0
Masa totala pe tip de oțel / Total mass on steel type (kg)				1
TOTAL (kg)				1

- Note:
- Fundatiile se vor realiza inainte de turnarea monolitizarii peranelor.
  - Diametrul staipei este informativ (se vor consulta fișele tehnice ale producătorului), se va respecta ingroparea de minim 600 mm indiferent de modelul ales.
  - Inainte de montaj se caleaza si se sutine pana se toarna betonul.
  - Se va consulta impreuna cu proiectul de instalatii electrice.
  - Armatura marca ① se pozitioneaza pe mijlocul gaurii de fundare.

- Note:
- The foundations will be realized before platforms casting-in place.
  - The pole diameter is given only for information (the manufacturer technical sheets will be consulted), but the minimum 700mm embedding will be respected no matter the selected model.
  - Before montage, it is fit on and supported until the concrete is cast on place.
  - It will be consulted with the electric installations project.
  - Armature type ① will be placed on the middle of the foundation hole.

PLAN COFRAJ FUNDATIE FORMWORK FOUNDATION PLAN



Toate tipurile de oțel (in special Bst 500) vor avea obligatoriu clasa de ductilitate C  
All types of steel (especially Bst 500) will mandatory have the ductility class C

Universal remark valid for the entire project  
The executants is bound to verify all the information from the plans and from the material lists before ordering any materials and to communicate any disparity to the designer. Other way the designer will not assume the responsibility about the errors in the plans or in the material lists.

Note generala valabila pentru intregul proiect  
Executantul este obligat sa verifice informatiile din planuri si din extrasele de materiale inainte de comandarea oricaror materiale si sa comunice orice neconcordanta proiectantului. In caz contrar proiectantul nu isi va asuma raspundabilitatea pentru nici o eroare din planuri sau din extrasele de materiale.

Proiectul de structura se va corela cu proiectul celorlalte specialitati (partea scrisa si partea desenata).  
The structural project (blueprints, technical briefs, technic specifications) will be correlated with the other specialities/projects (blueprints, technical briefs and technical specifications).

- MATERIALE:
- Beton armat C20/25 CEM III/A-S 42.5 N ;  
sort 0-16; A/C : 0.55 ;  
Beton armat de monolitizare C30/37  
CEM III/A-S 42.5 N ; sort 0-16; A/C : 0.55 ;  
Beton egalizare C8/10(5 cm)  
Otel beton Bst500  
Otel laminat S235
- MATERIALS:  
Reinforced concrete C20/25 CEM III/A-S  
42.5 N ; sort 0-16 A/C : 0.55 ;  
Reinforced concrete C30/37 CEM III/A-S  
42.5 N ; sort 0-16 A/C : 0.55 ;  
Equalization concret C8/10(5 cm)  
Reinforcement Bst500  
Rolled steel S235

Scara / Scale 1:20	Revizii / Revision 1/05.2013	Cod desen / Drawing Code PT.03.03.24.RE.01.007	Nr / No 07/08
-----------------------	---------------------------------	---	------------------